

NOTICE

The purchaser agrees when they purchase this plan that they have the right to build or construct the object or project set out in the plan (the "Project") for his/hers/its personal use only and not for resale, reproduction of the Plan in whole or in part by any means whatsoever is strictly prohibited.
 3) Blueprints for the Handymen Project are for personal use only. The Project or any tools used to construct the Project or for any loss or damage resulting therefrom.

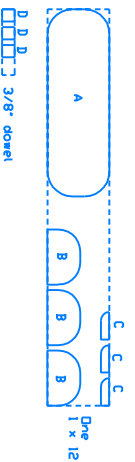
NOTE: Read all directions before beginning
 Carpenters Glue should be used to reinforce all joints
 Dimensions shown in brackets denote millimeters
 Countersink all screws

Directions

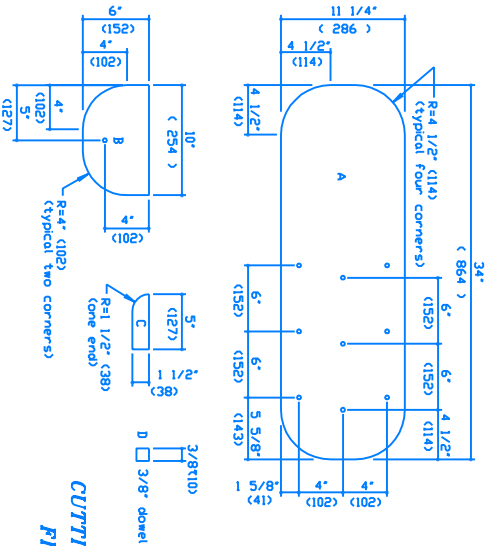
- 1) Lay out your material as outlined in the suggested materials layout (Fig. 1). Draw a full project plan or assembly diagram (Fig. 2), including the letter designations, in pencil. Ensure to leave a small space between cut lines to allow for the width of the saw. Before cutting, double check all measurements to ensure that they are correct. Always cut on the waste side of the line. Wipe any excess glue off of each stage of the project. To make round cuts in piece A, use a compass. Measure in from the side and top edges of piece A and where these two measurements intersect is the point for your compass. Follow the same procedure to draw out pieces B and C. You may use your artistic talents to create original shapes in pieces A and B. Router a 1/4" cove on the inside edges of pieces A and B. Mark location of holes in rear of piece A using a 1/8" bit. Mark location of holes in rear of pieces B, see (Fig. 3). Pre-drill holes using a 1/16" bit. Mark location of holes in tops of pieces B, and 5" in from the side edges of pieces B see (Fig. 4). Pre-drill holes using a 1/8" bit and countersink using a 3/8" bit to a 3/8" depth. Mark location of holes in rear of pieces C, see (Fig. 5). Pre-drill holes using a 1/16" bit.
- 2) Glue rear faces of pieces B and screw piece A to pieces B using 1 1/2" flathead screws. Join pieces B. Glue back and top edges of pieces B and fit tightly against piece A. Glue back and top edges of pieces B. Screw through piece A into pieces C using three 1 1/2" #8 flathead screws. Screw through tops of pieces B into pieces C using three 1" #8 flathead screws one screw per piece B. Cut three pieces D at 3/8" long. Glue pieces D into the countersinks in pieces B. Let dry and sand smooth. Fill exposed screw holes, if any, with filler mixed with stain to match dry stained project, or coloured putty and sand entire project smooth. Apply final finish according to manufacturer's directions.
- 3) Screw brass stichel into center of top rear edge of piece A using hardwood supplied with stichel. Mount clock on face of A by screwing through rear of A into clock using manufacturer supplied screws.

On materials:

Use a good hardwood for this project, preferably one that matches your living room furniture.



MATERIALS LAYOUT
 FIGURE 1



CUTTING DIAGRAM
 FIGURE 2

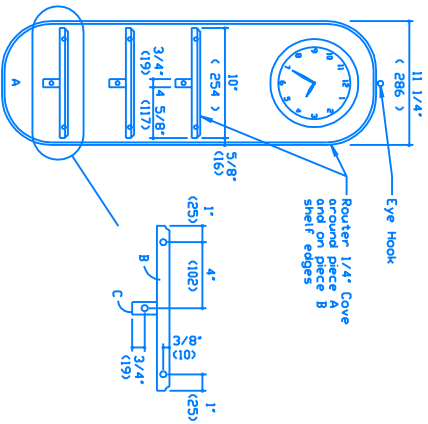


FIGURE 3

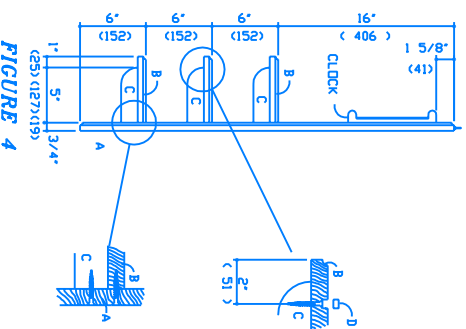
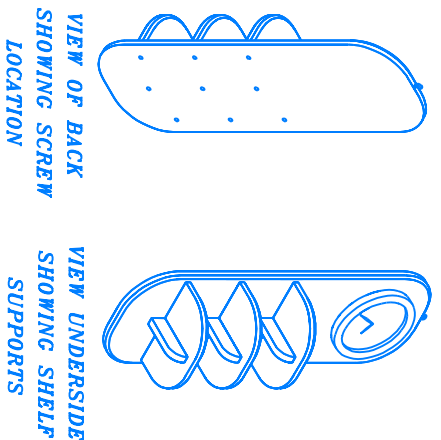


FIGURE 4



VIEW SHOWING FINISHED PRODUCT AND DOWEL LOCATIONS



MATERIALS LIST

- Nine 1 1/2" #8 flathead screws
- Three 1" #8 flathead screws
- One clock case with 3/8" dowel
- One 1"x12"x6" length hardwood

MATERIALS LIST

- Carpenters glue
- Stain and varnish or oil honger
- One eye hook or picture frame honger

TOOLS

- Table Saw and Jigsaw
- Pencil and Measuring tape
- 1/16", 1/8", 1/4", 3/8" drill bits
- Hammer and Screwdrivers
- Square and Nail Set
- Compass and Router